

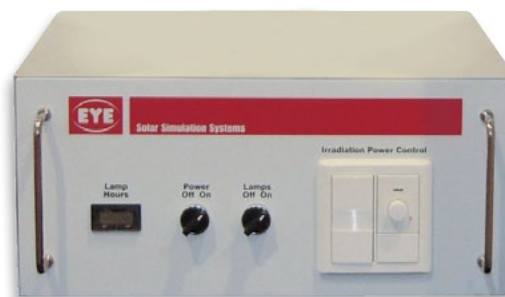


## Solarlux™ Solar Simulation Systems



### Educational / Bench-Top Systems

- Economical, bench-top systems are perfect for educational and small lab applications.
- Systems meet ASTM/IEC/JIS class CCA to BBA, depending upon configuration.
- EYE Solarlux™ proprietary reflector arc tube lamps replicate true sunlight to ensure reliable and repeatable test results.
- Proprietary electronic ballasts provide IEC Class A temporal stability for true stable continuous irradiation.
- Open Array configuration provides additional application flexibility and allows easy integration into existing chambers or racks.
- Simple to use systems include integrated PWM (pulse width modulation) adjustable irradiation power control.
- Systems available in any size or configuration to meet your cell or panel requirements.



### Applications

- Small Panel Performance Testing
- Solar Cell Development
- Continuous Soaking
- Aging Applications



## Solarlux™ Solar Simulation Systems

### Educational / Bench-Top Systems

| Part # | Description  |
|--------|--|
| 93500  | Class BBA Enclosed Bench-Top Simulation System<br>Four 150R Lamp Array   |
| 93510  | Class BBA Open Array Bench-Top Simulation System<br>Four 150R Lamp Array |
| 93520  | Class B Open Array Bench-Top Simulation System<br>Single 150R Lamp       |
| 93530  | Class C Open Array Bench-Top Simulation System<br>Single 400R Lamp       |



Quad-Lamp 150R Open Array Class B System  
(Note: Keithley Sourcemeter and laptop are not included with system)

The industry leading lamps and electronics used in this bench-top system are proprietary EYE Lighting/Iwasaki Electric products and represent the culmination of 60 years applied lighting technology expertise. Contact us for a configuration to meet your specific needs.

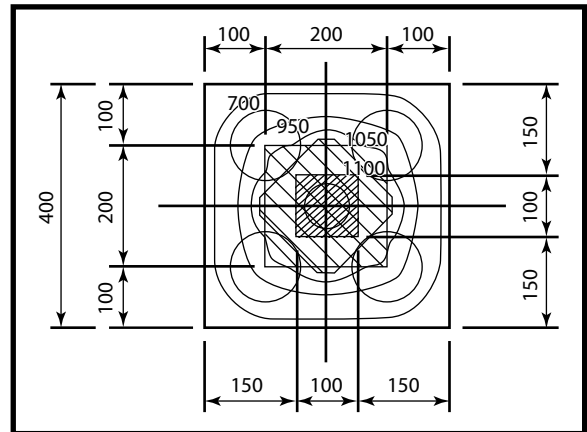
### Basic Specifications

- **Solar Lamp:** EYE Solarlux™ 150R or 400R reflector arc tube technology
- **Spectrum Class:** 150R exceeds ASTM/IEC/JIS (IEC60904-9/JIS8912-8933) class B standards; 400R exceeds class C standards
- **Temporal Stability:** EYE Solarlux™ electronic ballast system meets Class A standard (+/-2%)
- **Uniformity Dependent Upon Target Size:**  
Class B – 100mm x 100mm; Class C – 200mm x 200mm
- **Irradiation Output Power:** nominal 1000W/m<sup>2</sup>, controllable from 1100W/m<sup>2</sup> to 600W/m<sup>2</sup>
- **Quad-Lamp Open Array Option:** For user configurable applications or for integration into existing chamber
- **Control:** ON/OFF; power control from 60% to 100% of maximum irradiation energy
- **Lamp Life:** Approximately 3000 hours. Built-in hour meter records system operation time for maintenance
- **Input Power (max):**  
Four lamp systems - single phase 120VAC; 600VA; approx. 6A  
Single lamp systems - single phase 120VAC; 600VA; approx. 2A
- **Dimensions:**  
**Power/Control** – 20in D x 20in W x 10in H  
**Bench-Top** – 16in D x 16in W x 30in H

|  |   |                                |      |      |
|--|---|--------------------------------|------|------|
|  | Solar Radiation Intensity (W/m <sup>2</sup> ) | 1120                           | 1100 | 1080 |
|  | Irradiance Non-uniformity                     | Within +/-5% over target area  |      |      |
|  | Solar Radiation Intensity (W/m <sup>2</sup> ) | 1135                           | 1090 | 1015 |
|  | Irradiance Non-uniformity                     | Within +/-10% over target area |      |      |

EYE Lighting/Iwasaki Electric solar lighting experience provides the expertise to assist you in the development of solar simulation systems specific to your application requirements.

We welcome the opportunity to work with you to solve your application requirements.



EYE Lighting International of North America, Inc.  
a division of Iwasaki Electric of Japan

9150 Hendricks Road  
Mentor, Ohio 44060

Tel: (888) 665-2677  
Fax: (440) 350-7001



[www.eyesolarlux.com](http://www.eyesolarlux.com)